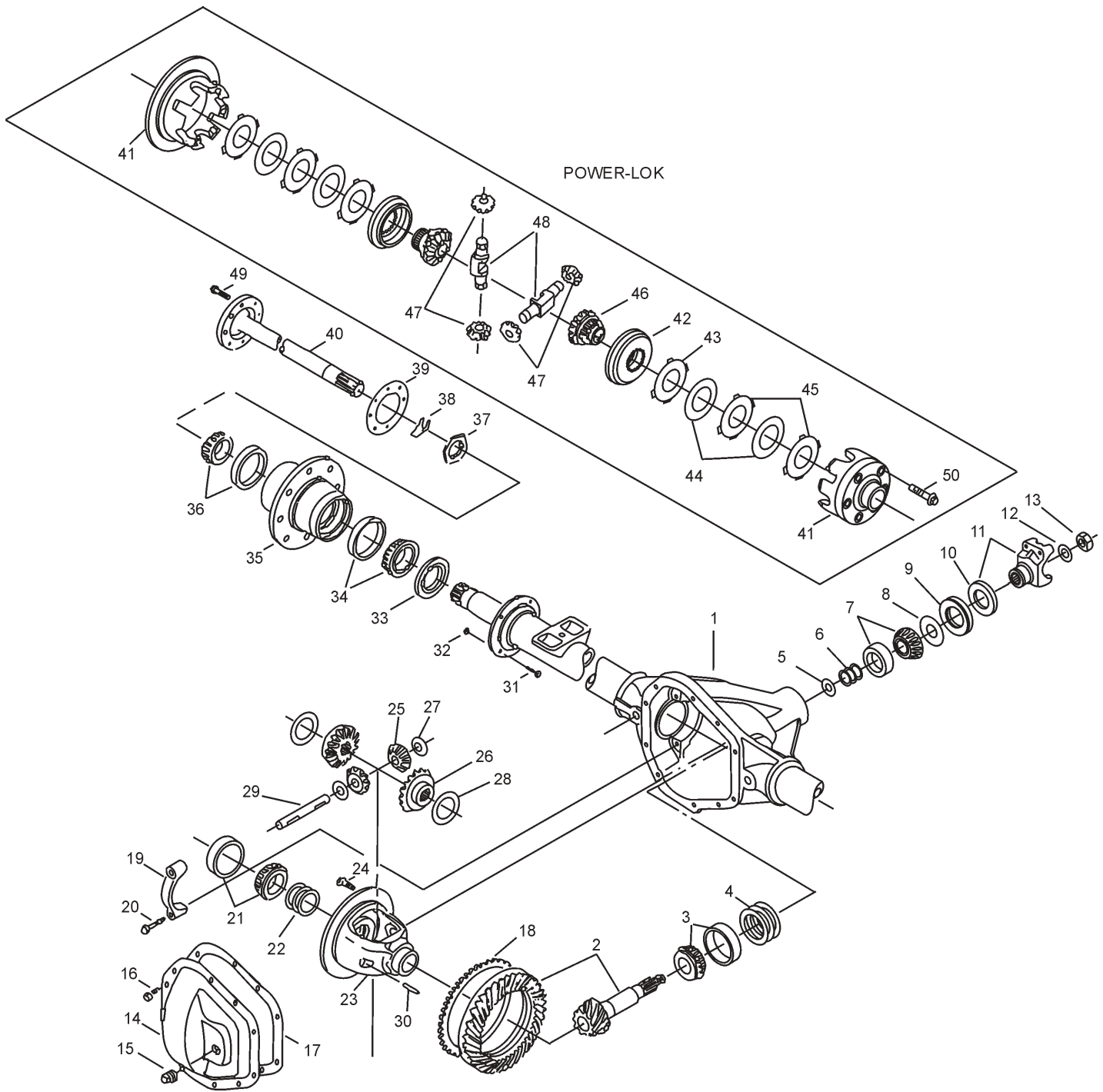


Dodge / Chrysler 1994-1998

Model 70 /267 Rear Axles for

**D2500 & W3500 Ram
Air Force Tow Vehicle**

Dodge Model 70 /267 Rear Axles-Ram Exploded View



Shown: One Piece Case - Standard

Dodge Model 70 /267 Rear Axles-Ram

Parts Listing

ITEM NO.	PART NUMBER	DESCRIPTION	ITEM NO.	PART NUMBER	DESCRIPTION
1	— ⁽³⁾	Housing – Axle Service	23	— ⁽¹⁾	Case – Differential (std)
2	— ⁽¹⁾	Drive Pinion & Gear Assembly	24	40638	Bolt – Drive Gear (qty 12)
3	706861X	KIT – Inner Pinion Bearing	25	35080	Pinion – Differential (std)
	708020	PKG – Diff & Pinion Bearing Shim (Inc items 4,6,13,17,22)	26	43913	Gear – Differential (std)
	707257X	PKG – Pinion Bearing Shim (inc items 4,6,13)	27	35082	Thrustwasher – Diff Pinion (std)
			28	34729	Thrustwasher – Diff Gear (std)
4	— ⁽⁴⁾	Inner Pinion Shims (see shim packages)	29	46640	Shaft – Differential (std)
5	46176	Flat Spacer – Outer Pinion	30	47024	Lock – Differential Shaft
6	— ⁽⁴⁾	Outer Pinion Shims (see shim packages)	31	— ⁽³⁾	Bolt – Brake Mounting
7	706045X	KIT – Outer Pinion Bearing	32	— ⁽³⁾	Nut – Brake Mounting
8	42737	Thrustwasher – Bearing	33	— ⁽²⁾	Seal – Hub
9	42449	Seal – Pinion Oil	34	— ⁽³⁾	KIT – Inner Wheel Bearing
10	34592	Slinger – End Yoke	35	— ⁽³⁾	Wheel Hub
11	3-4-11891-1X	End Yoke Assembly (inc 10)	36	— ⁽³⁾	KIT – Outer Wheel Bearing
12	44167	Washer – Pinion Nut	37	— ⁽²⁾	Spindle Nut
13	30271	Pinion Nut	38	46545	Locking Wedge
	— ⁽²⁾	KIT – Carrier Cover	39	39697	Gasket – Axle Shaft
14	— ⁽²⁾	Carrier Cover	40	43811-12	Shaft – Axle Flange Drive
15	43180	Plug – Carrier Cover	41	— ⁽¹⁾	Case – Differential (p/l)
16	34822	Bolt – Carrier Cover (qty 10)	42	42522	Ring – Differential Gear
17	34687	Gasket – Carrier Cover	43	707075X	KIT – Disc & Plate (p/l)
18	42929	Tone Ring (ABS)	44	— ⁽⁴⁾	Plate – Differential
19	— ⁽³⁾	Differential Bearing Cap	45	— ⁽⁴⁾	Disc – Differential Dished
20	48632-1	Bolt – Differential Bearing Cap	46	43914	Plate – Differential
21	706047X	KIT – Differential Bearing	47	31040	Gear – Differential (p/l)
22	708012	PKG – Diff Bearing Shim (inc 17)	48	31041	Pinion – Differential (p/l)
			49	— ⁽²⁾	Shaft – Differential (p/l)
			50	41610-1	Screw – Self Locking
					Flange Head Screw

- (1) See "Bill of Material Table" on next page
(2) See "Variable Parts Table" within this section
(3) Contact Vehicle Manufacturer
(4) Not Sold Separately

Dodge Model 70 /267 Rear Axles-Ram

Bill of Material Table

Axle			Axle Kits				Shaft & Joint Assy.	
Bill of Material	Diff. Type	Ratio	Ring Gear & Pinion Kit ⁽⁷⁾	Differential			Right Hand Shaft Assy.	Left Hand Shaft Assy.
				Case Assy. Kit ⁽⁸⁾	Case Kit	Inner Parts Kit		
1994-95 1/2 D2500								
605590-1	Standard	3.54	708015-1	708016	708017	707252X	43811-12	43811-12
605590-2	Standard	4.10	708015-2	708016	708017	707252X	43811-12	43811-12
605590-3	Powr Lok	4.10	708015-2	708018	708019	707254X	43811-12	43811-12
605590-4	Powr Lok	3.54	708015-1	708018	708019	707254X	43811-12	43811-12
605590-5	Standard	4.56	707250-4X	708022	708023	707252X	43811-12	43811-12
605590-6	Powr Lok	4.56	707250-4X	708024	708025	707254X	43811-12	43811-12
605590-7	Standard	3.54	708015-1	708016	708017	707252X	43811-12	43811-12
605590-8	Powr Lok	3.54	708015-1	708018	708019	707254X	43811-12	43811-12
605590-9	Standard	4.10	708015-2	708016	708017	707252X	43811-12	43811-12
605590-10	Powr Lok	4.10	708015-2	708018	708019	707254X	43811-12	43811-12
1994-95 1/2 W2500								
605588-1	Standard	3.54	708015-1	708016	708017	707252X	43811-12	43811-12
605588-2	Standard	4.10	708015-2	708016	708017	707252X	43811-12	43811-12
605588-3	Powr Lok	4.10	708015-2	708018	708019	707254X	43811-12	43811-12
605588-4	Powr Lok	3.54	708015-1	708018	708019	707254X	43811-12	43811-12
605588-5	Standard	4.56	707250-4X	708022	708023	707252X	43811-12	43811-12
605588-6	Powr Lok	4.56	707250-4X	708024	708025	707254X	43811-12	43811-12
605588-7	Standard	3.54	708015-1	708016	708017	707252X	43811-12	43811-12
605588-8	Standard	4.10	708015-2	708016	708017	707252X	43811-12	43811-12
605588-9	Powr Lok	4.10	708015-2	708018	708019	707254X	43811-12	43811-12
605588-10	Powr Lok	3.54	708015-1	708018	708019	707254X	43811-12	43811-12
1995-95 1/2 Air Force Tow Vehicle - ABS								
605722-1	Standard	7.17	708015-3	708022	708023	707252X	43811-12	43811-12
605722-2	Powr Lok	7.17	708015-3	708024	708025	707254X	43811-12	43811-12
605723-1	Standard	7.17	708015-3	708022	708023	707252X	43811-12	43811-12
605723-2	Powr Lok	7.17	708015-3	708024	708025	707254X	43811-12	43811-12
1996 W2500								
605900-1	Standard	3.54	708015-1	708016	708017	707252X	43811-12	43811-12
605900-2	Powr Lok	3.54	708015-1	708018	708019	707254X	43811-12	43811-12
605900-3	Standard	4.10	708015-2	708016	708017	707252X	43811-12	43811-12
605900-4	Powr Lok	4.10	708015-2	708018	708019	707254X	43811-12	43811-12
1996 W2500 - ABS								
605786-1	Standard	3.54	708015-1	708016	708017	707252X	43811-12	43811-12
605786-2	Standard	4.10	708015-2	708016	708017	707252X	43811-12	43811-12
605786-3	Powr Lok	4.10	708015-2	708018	708019	707254X	43811-12	43811-12
605786-4	Powr Lok	3.54	708015-1	708018	708019	707254X	43811-12	43811-12
1996-96 1/2 D2500								
605787-1	Standard	3.54	708015-1	708016	708017	707252X	43811-12	43811-12
605787-2	Powr Lok	3.54	708015-1	708018	708019	707254X	43811-12	43811-12
605787-3	Standard	4.10	708015-2	708016	708017	707252X	43811-12	43811-12
605787-4	Powr Lok	4.10	708015-2	708018	708019	707254X	43811-12	43811-12
1996-97 D2500								
605901-1	Standard	3.54	708015-1	708016	708017	707252X	43811-12	43811-12
605901-2	Powr Lok	3.54	708015-1	708018	708019	707254X	43811-12	43811-12
605901-3	Standard	4.10	708015-2	708016	708017	707252X	43811-12	43811-12
605901-4	Powr Lok	4.10	708015-2	708018	708019	707254X	43811-12	43811-12

(7) See Ring Gear & Pinion Kits in XGI Catalog for ratio & tooth combinations.

(8) See Differential Case Assy Kits in XGI Catalog for spline data & ratios.

Dodge Model 70 /267 Rear Axles-Ram

Bill of Material Table

Axle			Axle Kits				Shaft & Joint Assy.	
Bill of Material	Diff. Type	Ratio	Ring Gear & Pinion Kit ⁽⁷⁾	Differential			Right Hand Shaft Assy.	Left Hand Shaft Assy.
				Case Assy. Kit ⁽⁸⁾	Case Kit	Inner Parts Kit		
1996-97 1/2 Air Force Tow Vehicle - ABS								
605879-1	Standard	7.17	708015-3	708022	708023	707252X	43811-12	43811-12
605879-2	Powr Lok	7.17	708015-3	708024	708025	707254X	43811-12	43811-12
605880-1	Standard	7.17	708015-3	708022	708023	707252X	43811-12	43811-12
605880-2	Powr Lok	7.17	708015-3	708024	708025	707254X	43811-12	43811-12
1997 W2500								
606055-1	Standard	3.54	708015-1	708016	708017	707252X	43811-12	43811-12
606055-2	Powr Lok	3.54	708015-1	708018	708019	707254X	43811-12	43811-12
606055-3	Standard	4.10	708015-2	708016	708017	707252X	43811-12	43811-12
606055-4	Powr Lok	4.10	708015-2	708018	708019	707254X	43811-12	43811-12
1997-98 Air Force Tow Vehicle - ABS								
606013-1	Standard	7.17	708015-3	708022	708023	707252X	43811-12	43811-12
606013-2	Powr Lok	7.17	708015-3	708024	708025	707254X	43811-12	43811-12
606012-1	Standard	7.17	708015-3	708022	708023	707252X	43811-12	43811-12
606012-2	Powr Lok	7.17	708015-3	708024	708025	707254X	43811-12	43811-12
1998 D2500								
605981-1	Standard	3.54	708015-1	708016	708017	707252X	43811-12	43811-12
605981-2	Powr Lok	3.54	708015-1	708018	708019	707254X	43811-12	43811-12
605981-3	Standard	4.10	708015-2	708016	708017	707252X	43811-12	43811-12
605981-4	Powr Lok	4.10	708015-2	708018	708019	707254X	43811-12	43811-12
606094-1	Standard	3.54	708015-1	708016	708017	707252X	43811-12	43811-12
606094-2	Powr Lok	3.54	708015-1	708018	708019	707254X	43811-12	43811-12
606094-3	Standard	4.10	708015-2	708016	708017	707252X	43811-12	43811-12
606094-4	Powr Lok	4.10	708015-2	708018	708019	707254X	43811-12	43811-12
1998 W2500								
605980-1	Standard	3.54	708015-1	708016	708017	707252X	43811-12	43811-12
605980-2	Powr Lok	3.54	708015-1	708018	708019	707254X	43811-12	43811-12
605980-3	Standard	4.10	708015-2	708016	708017	707252X	43811-12	43811-12
605980-4	Powr Lok	4.10	708015-2	708018	708019	707254X	43811-12	43811-12
606063-1	Standard	3.54	708015-1	708016	708017	707252X	43811-12	43811-12
606063-2	Powr Lok	3.54	708015-1	708018	708019	707254X	43811-12	43811-12
606063-3	Standard	4.10	708015-2	708016	708017	707252X	43811-12	43811-12
606063-4	Powr Lok	4.10	708015-2	708018	708019	707254X	43811-12	43811-12
606095-1	Standard	3.54	708015-1	708016	708017	707252X	43811-12	43811-12
606095-2	Powr Lok	3.54	708015-1	708018	708019	707254X	43811-12	43811-12
606095-3	Standard	4.10	708015-2	708016	708017	707252X	43811-12	43811-12
606095-4	Powr Lok	4.10	708015-2	708018	708019	707254X	43811-12	43811-12

(7) See Ring Gear & Pinion Kits in XGI Catalog for ratio & tooth combinations.

(8) See Differential Case Assy Kits in XGI Catalog for spline data & ratios.

Dodge Model 70 /267 Rear Axles-Ram

Variable Parts Listing

Kits & Parts - Use With All Applications							
Description & Item Number (Refer to "Exploded View" at the front of this section)			Bills of Material				
			605588	605590	605722	605723	605786
1	KIT – Carrier Cover	-	707351X	707352X	707351X	707352X	707351X
2	Carrier Cover	14	46293-2	46293-1	46293-2	46293-1	46293-2
3	Seal – Hub	33	43146	43146	43146	43146	43146
4	Spindle Nut	37	39695	39695	47163	47163	47163
5	Screw – Self Locking	49	43124	43124	43124	43124	43124
			605787	605879	605880	605900	605901
1	KIT – Carrier Cover	-	707352X	707351X	707352X	707351X	707352X
2	Carrier Cover	14	46293-1	46293-2	46293-1	46293-2	46293-1
3	Seal – Hub	33	43146	47507	47507	43146	47507
4	Spindle Nut	37	47163	47163	47163	47163	47163
5	Screw – Self Locking	49	43124	43124	43124	45720	45720
			605980	605981	606012	606013	606055
1	KIT – Carrier Cover	-	707351X	707352X	707351X	707352X	707351X
2	Carrier Cover	14	46293-2	46293-1	46293-2	46293-1	46293-2
3	Seal – Hub	33	43146	47507	47507	47507	47507
4	Spindle Nut	37	47163	47163	47163	47163	47163
5	Screw – Self Locking	49	43124	45720	45720	45720	45720
			606063	606094	606095		
1	KIT – Carrier Cover	-	707351X	707352X	707351X		
2	Carrier Cover	14	46293-2	46293-1	46293-2		
3	Seal – Hub	33	47507	47507	47507		
4	Spindle Nut	37	47163	47163	47163		
5	Screw – Self Locking	49	45720	45720	45720		